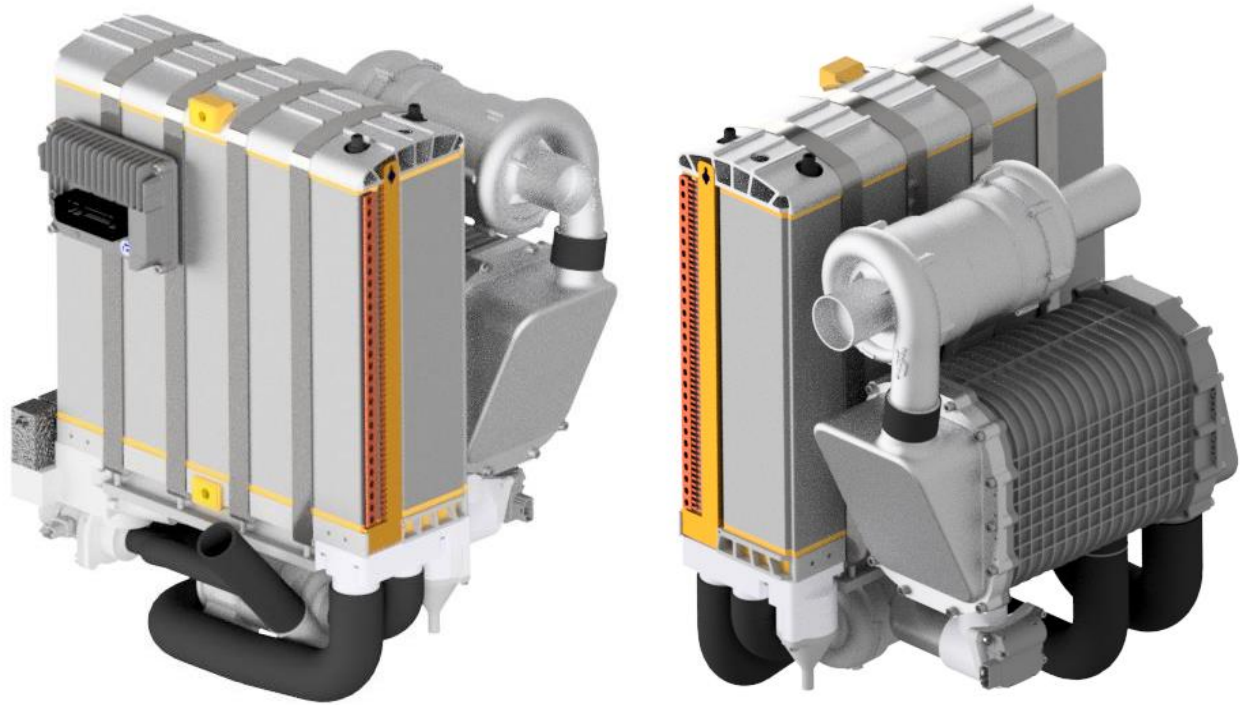


100 kW FC system



Not shown: air filter, air mass flow meter, brackets, wiring harness, covers, heat shields, coolant reservoir, compressor inverter

FC system technical data	SHA-100-C	SHA-100-E
Number of cells	335	455
Max. continuous net power	100 kW	100 kW
DC net out at max. cont. power	225V, 445 A	332 V; 300 A
System pressure (at full load)	2.6 bar _{abs}	2.6 bar _{abs}
Voltage range <small>(Peak Power EOL ... OCV BOL)</small>	184 .. 368 V	250 .. 500 V
Coolant flow (pump integrated)	150 l/min	150 l/min
Coolant outlet temperature	80°C	80 °C
Waste Heat	97 kW	82 kW
System Efficiency <small>(LHV H2 in to DC stack out)</small>	47 %	52 %
Dimensions (H x W x D) ¹⁾	587 x 403 x 528 mm	708 x 403 x 528 mm
Weight ²⁾	89 kg	98 kg
Durability (depending on usage profile)	approx. 4000 h	approx. 5000 h

1) Not included: air filter, air mass flow meter, brackets, wiring harness, covers, heat shields, coolant reservoir, compressor inverter
 2) All included (but Radiator and DC/DC converter not within system content)